



PERMANENT MAGNETIC LIFTER

Suitable for moving workpiece and molds that made of magnetic material steel, iron and cast iron



Scan QR Code To
Watch The Application

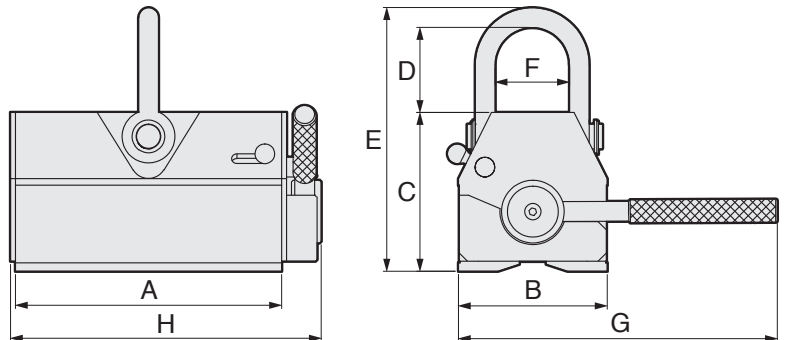


HOMGE
MACHINERY IND. CO., LTD.

Permanent Magnetic Lifter

ECMC-M 100, M 300, M+600, M 1000, M 2000

- Made of permanent Neodymium magnet, no electricity, no power outage risk.
- The safety factor is 3.5 times. Permanent Magnetic Lifter provides strong and stable magnetic force with easy operation and increase productivity.
- The special V-type design at the bottom of Permanent Magnetic Lifter can lift the steel plate and round steel...etc.
- Suitable for moving workpiece and molds that made of magnetic material steel, iron and cast iron.
Applicable areas: Steel industries, foundries, fabrication factories, shipyards and transport industries.



SPECIFICATIONS

Unit: mm / inch

Model	A		B		C		D		E		F		G		H		Safety factor	Weight	
	mm	inch	mm	inch	mm	inch	mm	inch	mm	inch	mm	inch	mm	inch	mm	inch		kg	lbs
ECMC-M 100	90	3.5	60	2.4	75	3	46	1.8	130	5.1	32	1.3	136	5.4	116	4.6	× 3.5	3	6.6
ECMC-M 300	161	6.3	90	3.5	96	3.8	51	2	160	6.3	45	1.8	193	7.6	189	7.4		9	19.8
ECMC-M+600	234	9.2	120	4.7	123	4.8	74	2.9	213	8.4	64	2.5	261	10.3	263	10.4		23	50.6
ECMC-M 1000	269	10.6	170	6.7	170	6.7	94	3.7	285	11.2	100	3.9	376	14.8	301	11.9		54	118.8
ECMC-M 2000	390	15.4	216	8.5	215	8.5	105	4.1	348	13.7	121	4.8	512	20.2	432	17		121	266.2

Model	Steel Plate Max. load		Min. thickness		Round Steel Max. load		ØMax. diameter		Max. length	
	kg	lbs	mm	inch	kg	lbs	mm	inch	mm	inch
ECMC-M 100	100	220	15	0.6	50	110	150	5.9	500	19.7
ECMC-M 300	300	660	25	1	150	330	250	9.8	800	31.5
ECMC-M+600	600	1320	30	1.2	300	660	350	13.8	1200	47.2
ECMC-M 1000	1000	2200	40	1.6	500	1100	450	17.7	1500	59
ECMC-M 2000	2000	4400	55	2.2	1000	2200	550	21.7	1800	70.9



HOMGE MACHINERY IND. CO., LTD.

© 2018 COPYRIGHT. HOMGE MACHINERY. Mar. 2000