



NC Deburring >>>

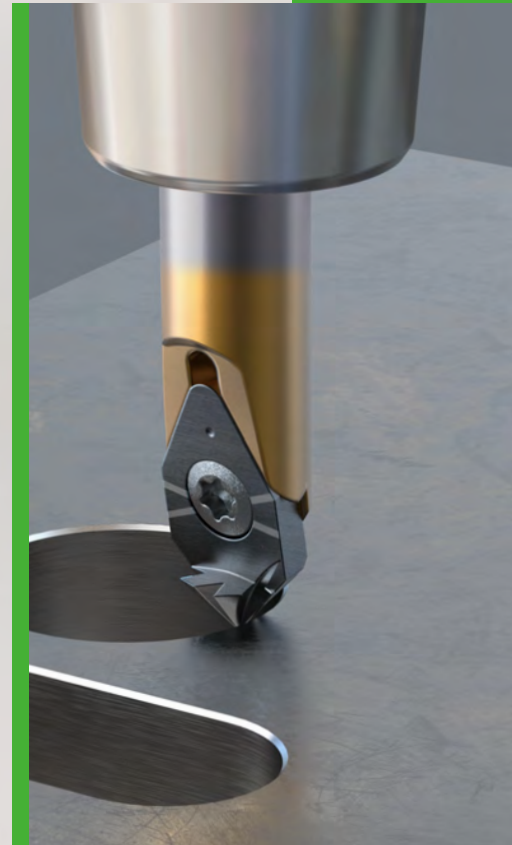
60° & 90°

Ideal for fine hole deburring.

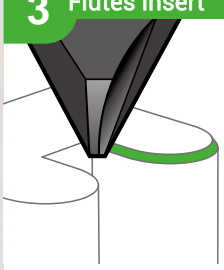




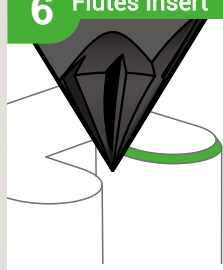


► **Indexable Type, High Precision Ground Carbide Insert.**

- Achieve high speed and high feed deburring and chamfering on CNC machine.
- Retain exceptional positional accuracy of the deburring depth and diameter.



Features >

X060A..T3	
3 Flutes insert	2 cutting edges
	60° 90°
 <ul style="list-style-type: none"> • Good for interior angles < 90°. • The chip removing space is bigger. 	 <p>1 2</p> <p>30° Tmax. 0.9mm</p> <p>Minimum 0.1mm</p> <p>0.5</p>
	 <p>1 2</p> <p>45° Tmax. 0.9mm</p> <p>Minimum 0.1mm</p> <p>0.5</p>

X060A..T6	
6 Flutes insert	single cutting edge
	60° 90°
 <ul style="list-style-type: none"> • Good for simple contours. • Fast deburring, Time saving! 	 <p>1</p> <p>30° Tmax. 1.8mm</p> <p>Minimum 0.1mm</p> <p>0.5</p>
	 <p>1</p> <p>45° Tmax. 1.5mm</p> <p>Minimum 0.5mm</p>

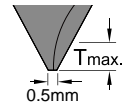
NC Deburring 60° & 90°

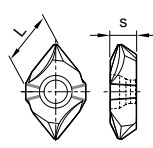
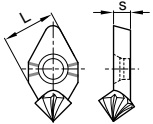
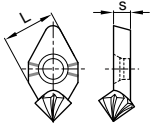
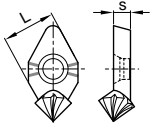


► Inserts >>

NC2032: • For all kinds of steel < 40 HRC, carbon steel, alloy steel, cast iron, aluminum and non-ferrous metal.

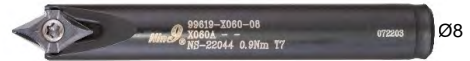
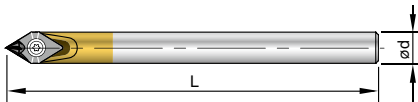
XP9001: • For non-ferrous metal, aluminum, brass, copper, plastic and acrylic.



Angle	Code	Part No.	Coating	Grade	Flutes		Dimensions		Tmin.	Tmax.
							L	S		
60°	01X611	X060A60T3-NC2032	TiAlN	K20F	3		6	2.8	0.1	0.9
	01X612	X060A60T3-XP9001	Uncoated							
90°	01X911	X060A90T3-NC2032	TiAlN	K20F	6		6	2.0	0.1	1.8
	01X912	X060A90T3-XP9001	Uncoated							
60°	01X601	X060A60T6-NC2032	TiAlN	K20F	6		6	2.0	0.1	1.8
90°	01X901	X060A90T6-NC2032							0.5	1.5

► Holder >>

• Using same tool holder of X060 engraving tool.



Code	Parts No.	Shank	Ød	L	Screw	Key
69X001	00-99619-X060-06	Steel	6	40		
69X002	00-99619-X060-06L	Carbide	6	60	*NS-22044 0.9Nm	NK-T7
69X003	00-99619-X060-06LS	Steel	6	60		
69X004	00-99619-X060-06XL	Carbide	6	100		
69X005	00-99619-X060-08	Steel	8	60		

*Torque screwdriver is recommended.

► Starter Kit >> • Different content can be customized.

Code	Parts No.	Carbide Shank Ø	Angle	Insert included	Content
69X202-X601	00-99619-X060-DB60-02K-32	6	60°	X060A60T6-NC2032	1 x Holder 1 x T7 Key
69X202-X901	00-99619-X060-DB90-02K-32	(99619-X060-06L)	90°	X060A90T6-NC2032	2 x inserts



► Cutting Data >>

Workpiece Material	S (r.p.m.)	Feed Rate (mm / tooth)	Grade of Insert
P Carbon Steel C<0.3%	8000~40000	0.005-0.05	NC2032
Alloy steel	6000~35000	0.005-0.04	
M Stainless Steel	6000~25000	0.005-0.03	
K Casting iron	6000~35000	0.005-0.03	
N Aluminum, Non-Ferrous Metal	8000~40000	0.005-0.05	XP9001